

3 EASY STEPS TO CONSTRUCT A FACE MASK

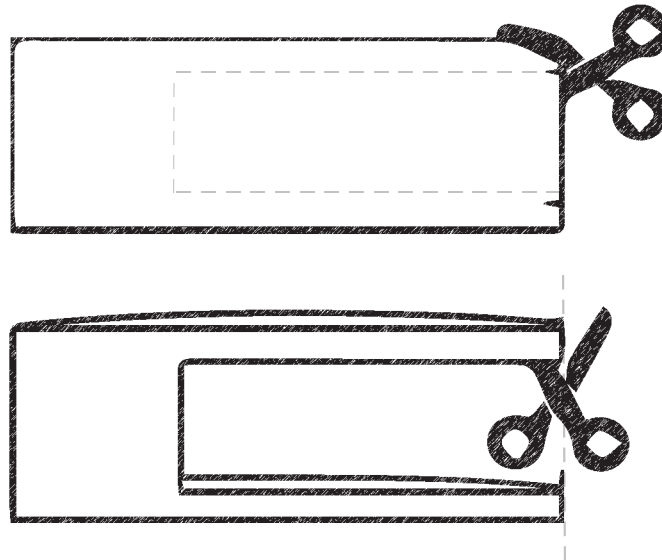
Materials you'll need:

- Old Cotton T-Shirt
- Scissors



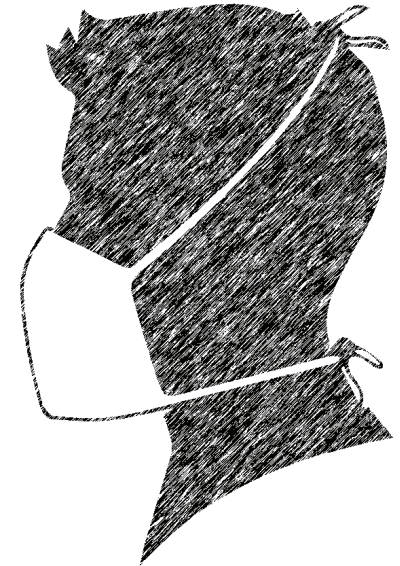
Step 1.

Find an old cotton t-shirt. Measure 7-8 inches from the bottom and cut across.



Step 2.

Measure 6-7 inches from one side. Cut a rectangle out and cut that same side vertically to create head strings.



Step 3.

Place the center of the fabric over your nose and mouth. Tie the top strings around the top of your head and the bottom strings around the neck.